

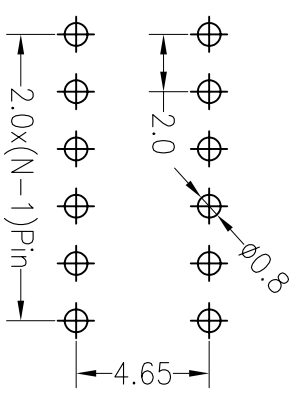
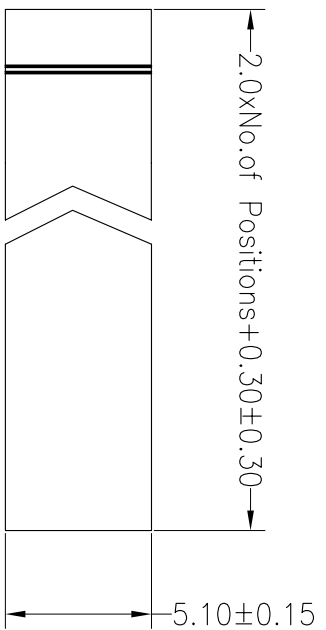


FILE NO: E362810

**SPECIFICATIONS**

Rated Current: 1.5AMP  
 Contact Resistance: 20mΩ Max  
 Withstand Voltage: 500V AC/DC  
 Insulation Resistance: 1000MΩ Min  
 Operation Temperature: -40°C to +105°C  
 Contact Material: Brass  
 Contact Plating: Au or Sn Over Ni  
 Insulator Material: Polyester(Ul94V-0)  
 Standard: PA6T  
 Max. Processing Temp: 230°C for 30-60 seconds  
 (260°C for 10 seconds)

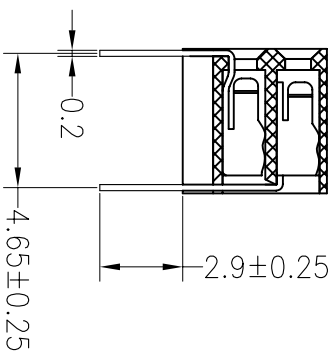
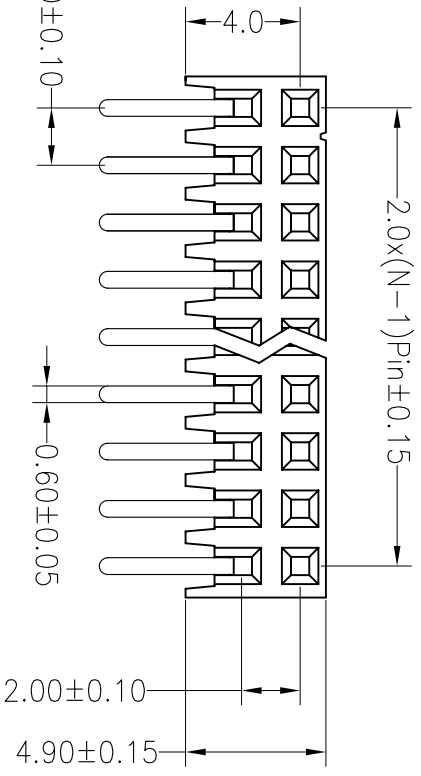
Recommended P.C.B Layout(Top Side)  
 (PCB BOARD TOLERANCE±0.05)



**Ordering Information**

2349 02 XX X N XX R UX 01

- No. of Pins Per Row: 2\*2~2\*40
- Insulator Material Option: A=BK-PBT, B=BK-PA66, C=BK-PA6T, D=BK-PA46, F=BK-LCP
- Contact Plating: G0:Gold Flash, G1:3U" Gold, G2:5U" Gold, G3:10U" Gold, G4:15U" Gold, G5:30U" Gold
- Packing: 0=Pe Bag, T=Tube, P=Tube+Cap, R=Reel+Cap, SN:Tin
- Other: S0:Gold Flash/Tin



A	REV	DATE	MODIFICATION DESCRIPTION	CHANGE	DIM	TOL	OPERATION	DRAW	YTYuSheng	12.04.18	SCALE	FIT	PART NO.	TITLE:
	A0	2012.04.18	NEW DRAWING		X.XX	±0.30	X.XX	±0.20	CHECK			UNIT	mm	234902XXXXXRUX01
B					X.XX	±0.10	X.XXX	±0.10	APPROVE		SIZE	A4		
C					Angle	±3°					SHEET	1/1		
D											PROJ.			
E														
F														
G														

**JIN** 深圳市锦凌电子有限公司  
 SHENZHEN JINLING ELECTRONIC CO.,LTD  
 Tel: 86-755-2997-5806/5802 Fax: 86-755-2997-5992