

NOTES1:

- UL Standard
- 1. Rated voltage/current : 600V / 40A
- 2. Withstanding voltage : AC2200V/1Min.
- 3. Wire range : 24~8AWG

IEC Standard

1. Pollution degree	2	2	3
Overvoltage category	II	III	III
Rate impulse voltage(KV)	8KV	8KV	8KV
Rate voltage(V)	1000V	1000V	630V
Rate current(A)	41A		

2. Wire range : 0.2~6mm²

NOTES2:

- 1. Dimension shall be interpreted per ASME Y14.5-2009
- 2. Pitch : 7.50mm, Poles : N=02~24P
- 3. Stripping length : 14~15mm
- 4. Operating temperature: -40°C~+105°C
- 5. Undimensioned tolerances:

Pitch range in mm	Nominal dimension		range		mm
	Over	TO	Over	TO	
6	10	TO	30	60	Over 0.1/10
10	24	TO	30	100	150
10	30	TO	60	100	150
10	30	TO	100	150	150
±0.15	±0.20	±0.30	±0.30	±0.50	±0.70
					±1.00
					±1.30
					±2*

6. RoHS Compliance

Ordering Information

JL271R-DB - 750 XX G 0 1

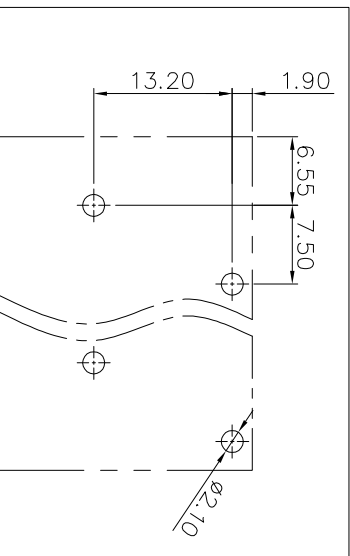
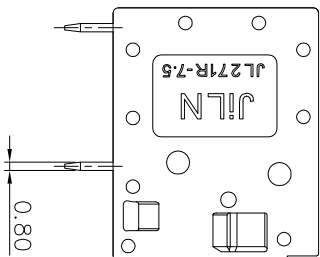
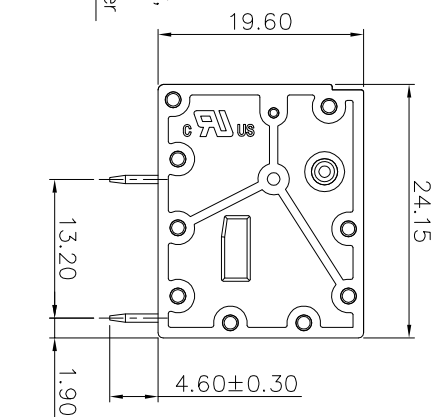
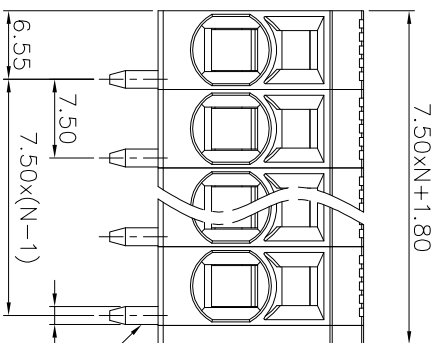
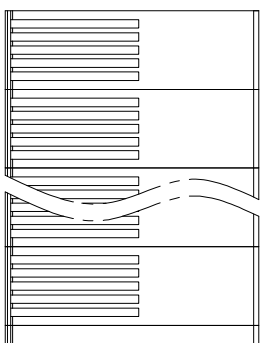
Pitch
750=7.50PH

No. of pins
2P~24P

Housing Color
B=Black
G=Green
U=Blue
R=Red
W=White
Y=Yellow
D=Drange
E=Grey

Packing
0=Per bag
T=Tube
A=Tray

REVISION RECORD				
REV	ECN	DESCRIPTION	DRFT	DATE
A0		NEW		21.06.30



Based on cover, the first one is after-pin header

DRAW	SHUANGPING ZHENG	SCALE	FIT		东莞市锦凌电子有限公司 DONGGUAN JINLING ELECTRONIC CO., LTD
CHECK	LICHAD LIU	UNIT	mm		
APPROVE	YONGLIANG GAO	SIZE	A4	PART NO.	JL271R-DB-750XXG01
		SHEET	1/1	TITLE:	JL271R-7.5-XXP 弹簧式/弯脚绿色/DB
		PRD			